



Main

Range of product	Modicon X80
Product or component type	Analog input module
Electrical connection	1 connector 20 ways
Isolation between channels	Isolated
Input level	High level
Analogue input number	4
Analogue input type	Current +/- 20 mA Current 0...20 mA Current 4...20 mA Voltage +/- 10 V Voltage +/- 5 V Voltage 0...10 V Voltage 0...5 V Voltage 1...5 V

Complementary

Analog/Digital conversion	24 bits
Analogue input resolution	16 bits
Input impedance	10 MOhm
Permitted overload on inputs	+/- 30 V +/- 10 V +/- 30 V +/- 5 V +/- 30 V 0...10 V +/- 30 V 0...5 V +/- 30 V 1...5 V +/- 90 mA +/- 20 mA +/- 90 mA 0...20 mA +/- 90 mA 4...20 mA
Internal conversion resistor	250 Ohm
Precision of internal conversion resistor	0.1 % - 15 ppm/°C
Type of filter	First order digital filtering
Fast read cycle time	1 ms + 1 ms x number of channels used
Nominal read cycle time	5 ms for 4 channels

Measurement error	<= 0.1 % of full scale +/- 10 V 0...60 °C <= 0.1 % of full scale +/- 5 V 0...60 °C <= 0.1 % of full scale 0...10 V 0...60 °C <= 0.1 % of full scale 0...5 V 0...60 °C <= 0.1 % of full scale 1...5 V 0...60 °C <= 0.3 % of full scale +/- 20 mA 0...60 °C <= 0.3 % of full scale 0...20 mA 0...60 °C <= 0.3 % of full scale 4...20 mA 0...60 °C 0.075 % of full scale +/- 10 V 25 °C 0.075 % of full scale +/- 5 V 25 °C 0.075 % of full scale 0...10 V 25 °C 0.075 % of full scale 0...5 V 25 °C 0.075 % of full scale 1...5 V 25 °C 0.15 % of full scale +/- 20 mA 25 °C 0.15 % of full scale 0...20 mA 25 °C 0.15 % of full scale 4...20 mA 25 °C
Temperature drift	15 ppm/°C +/- 10 V 15 ppm/°C +/- 5 V 15 ppm/°C 0...10 V 15 ppm/°C 0...5 V 15 ppm/°C 1...5 V 30 ppm/°C +/- 20 mA 30 ppm/°C 0...20 mA 30 ppm/°C 4...20 mA
Recalibration	Internal
Common mode between channels	120 dB
Digital value format	+/- 10000 by default +/- 32000 in user scale
Isolation voltage	300 V DC between channels 1400 V DC between channels and ground 1400 V DC between channels and bus
Measurement resolution	0.35 mV +/- 10 V 0.35 mV +/- 5 V 0.35 mV 0...10 V 0.35 mV 0...5 V 0.35 mV 1...5 V 0.92 µA +/- 20 mA 0.92 µA 0...20 mA 0.92 µA 4...20 mA
Maximum conversion value	+/- 11.4 V +/- 10 V +/- 11.4 V +/- 5 V +/- 11.4 V 0...10 V +/- 11.4 V 0...5 V +/- 11.4 V 1...5 V 0...30 mA +/- 20 mA 0...30 mA 0...20 mA 0...30 mA 4...20 mA
Status LED	1 LED green RUN 1 LED per channel green channel diagnostic 1 LED red ERR 1 LED red I/O
Product weight	0.143 kg
Current consumption	150 mA at 3.3 V DC 45 mA at 24 V DC

Environment

Vibration resistance	3 gn
Shock resistance	30 gn
Ambient air temperature for storage	-40...85 °C
Ambient air temperature for operation	0...60 °C
Relative humidity	5...95 % 55 °C without condensation
IP degree of protection	IP20
Directives	2012/19/EU - WEEE directive 2014/30/EU - electromagnetic compatibility 2014/35/EU - low voltage directive
Product certifications	CE CSA

UL
RCM
Merchant Navy
EAC

Standards	EN 61000-6-2 EN 61000-6-4 EN 61131-2 EN 61010-2-201
Protective treatment	TC
Operating altitude	0...2000 m 2000...5000 m (with derating factor)

Offer Sustainability

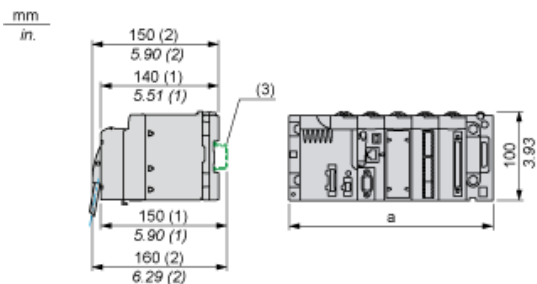
Sustainable offer status	Green Premium product
RoHS (date code: YYWW)	Compliant - since 0722 - Schneider Electric declaration of conformity Schneider Electric declaration of conformity
REACH	Reference not containing SVHC above the threshold Reference not containing SVHC above the threshold
Product environmental profile	Available Product Environmental Profile
Product end of life instructions	Available End of Life Information

Contractual warranty

Warranty period	18 months
-----------------	-----------

Modules Mounted on Racks

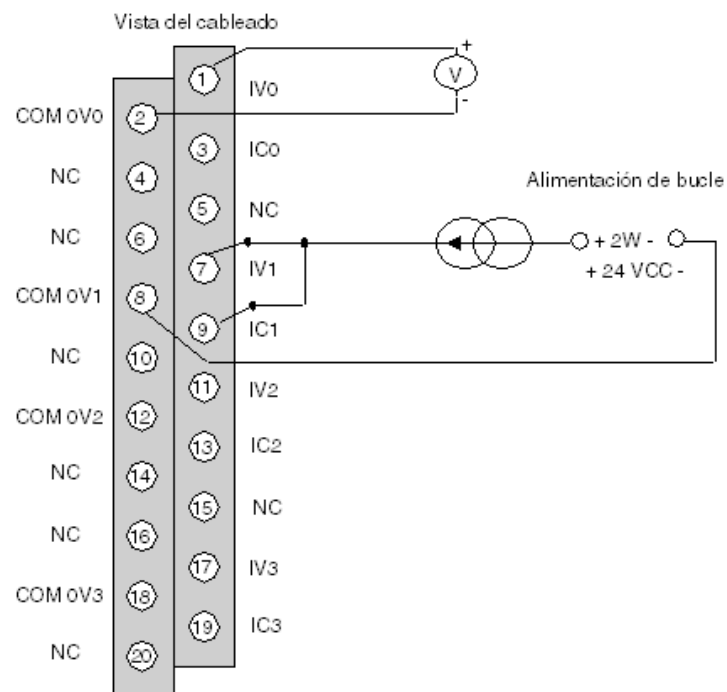
Dimensions



- (1) With removable terminal block (cage, screw or spring).
- (2) With FCN connector.
- (3) On AM1 ED rail: 35 mm wide, 15 mm deep. Only possible with BMXXBP0400/0400H/0600/0600H/0800/0800H rack.

Rack references	a in mm	a in in.
BMXXBP0400 and BMXXBP0400H	242.4	09.54
BMXXBP0600 and BMXXBP0600H	307.6	12.11
BMXXBP0800 and BMXXBP0800H	372.8	14.68
BMXXBP1200 and BMXXBP1200H	503.2	19.81

Wiring Diagram



IVx + pole input for channel x
COM 0Vx- pole input for channel x
ICx current reading resistor + input
Channel 0 voltage sensor
Channel 12-wire current sensor